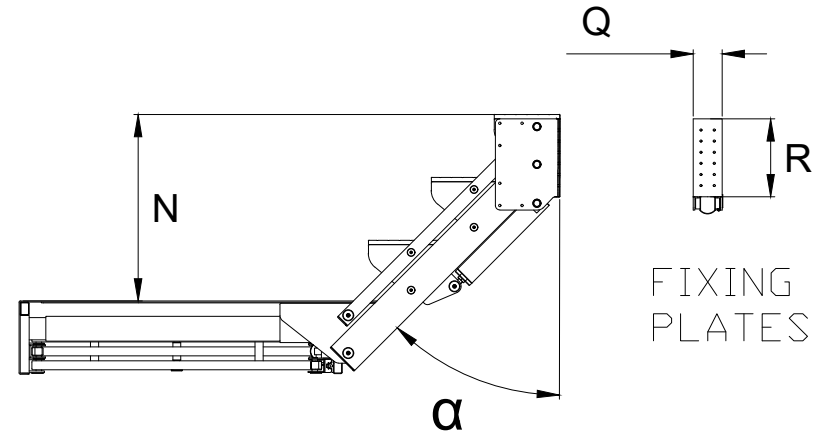
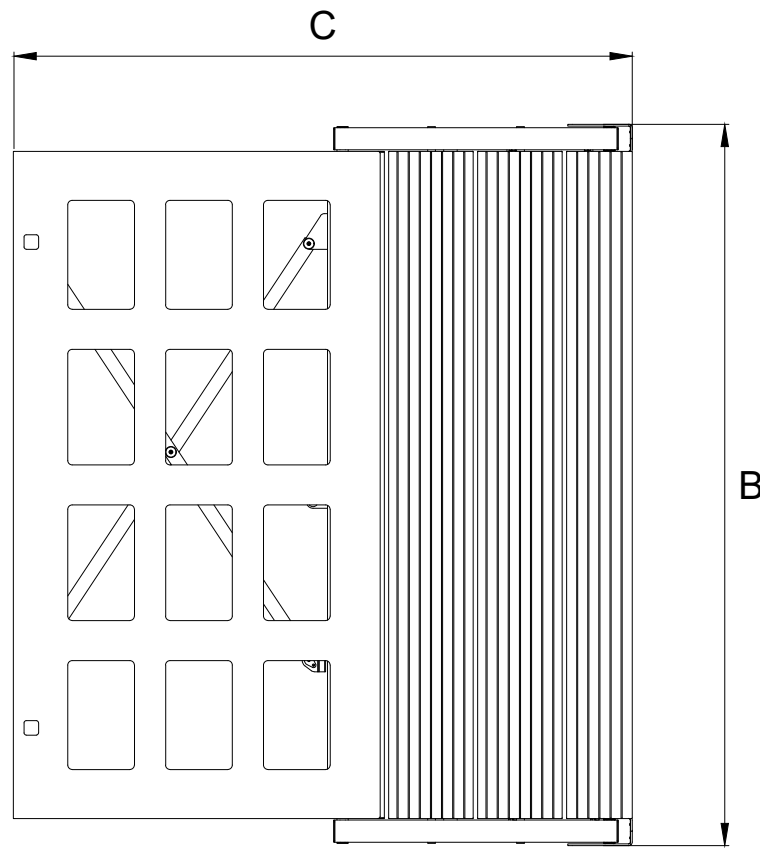
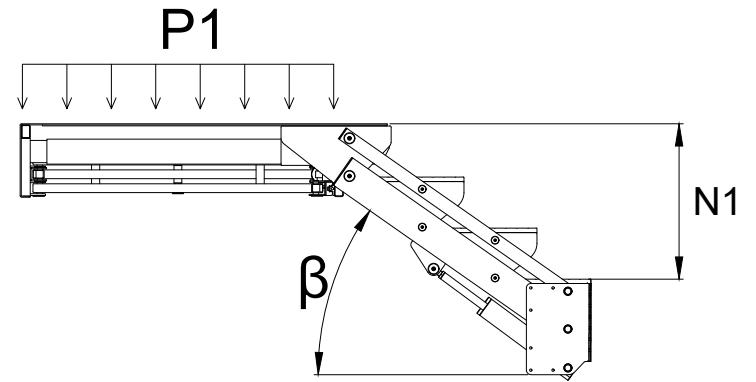
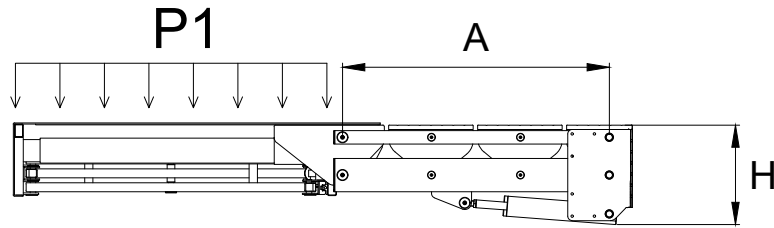


Static Load capacity P (Kg)	400
A (mm)	1200
B (mm)	3244
C (mm)	2780
H (mm)	450
N (mm)	839
N1 (mm)	698
Q (mm)	130
R (mm)	350
α°	35°
β°	45°



Product

LP 200

Ladder Platform