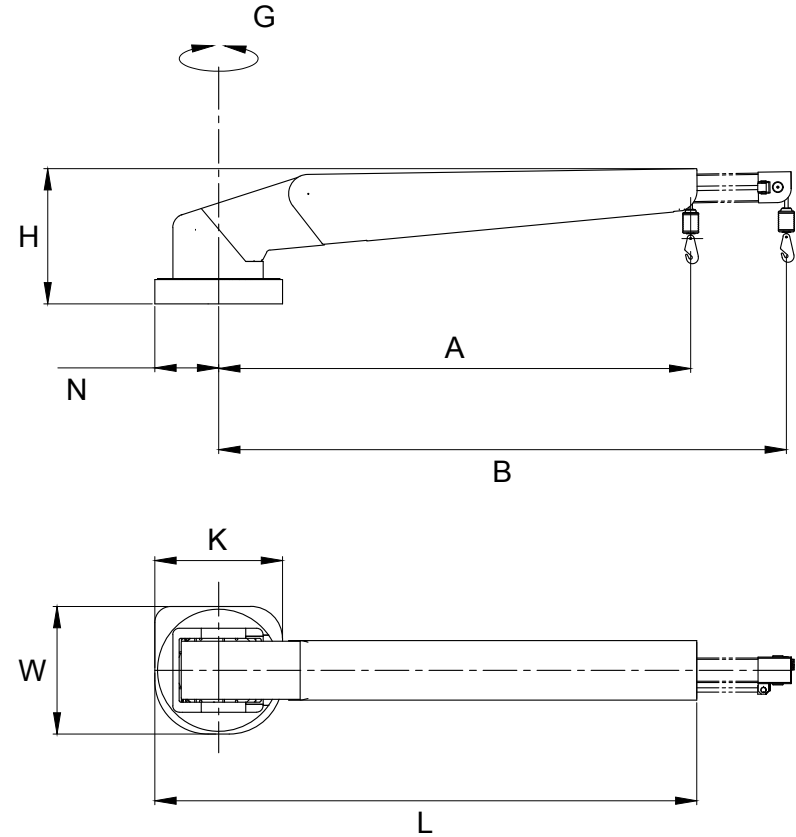
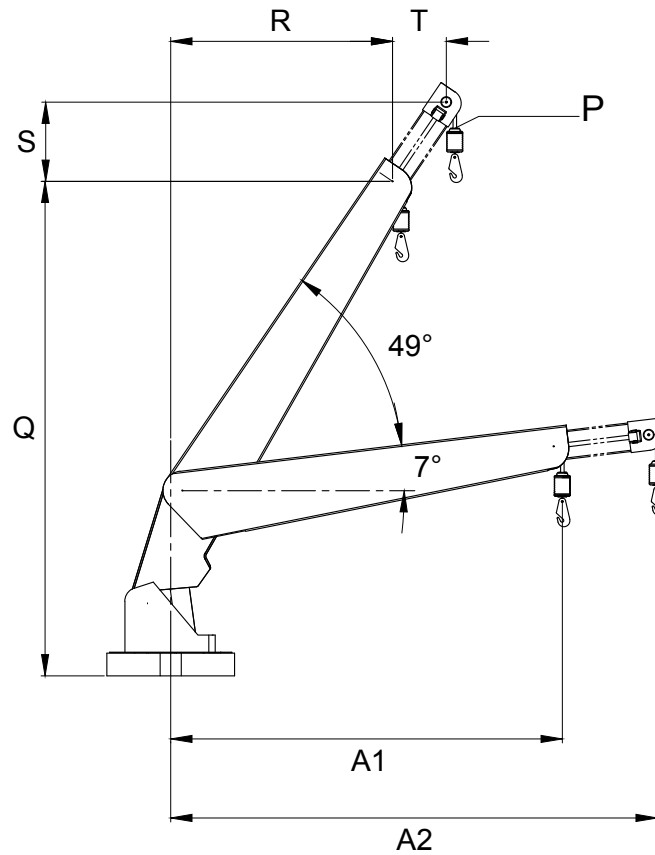


Lifting capacity (Kg)	1000
A (mm)	4440
A1 (mm)	3680
A2 (mm)	4570
B (mm)	5340
G (°)	90°
H (mm)	≈1300
K (mm)	1200
L (mm)	5100
N (mm)	600
P (mm)	6600
Q (mm)	4650
R (mm)	2090
S (mm)	745
T (mm)	505
W (mm)	1200
Weight (Kg)	1350



Product

G 624 RESCUE CRANE

Hydraulic Crane