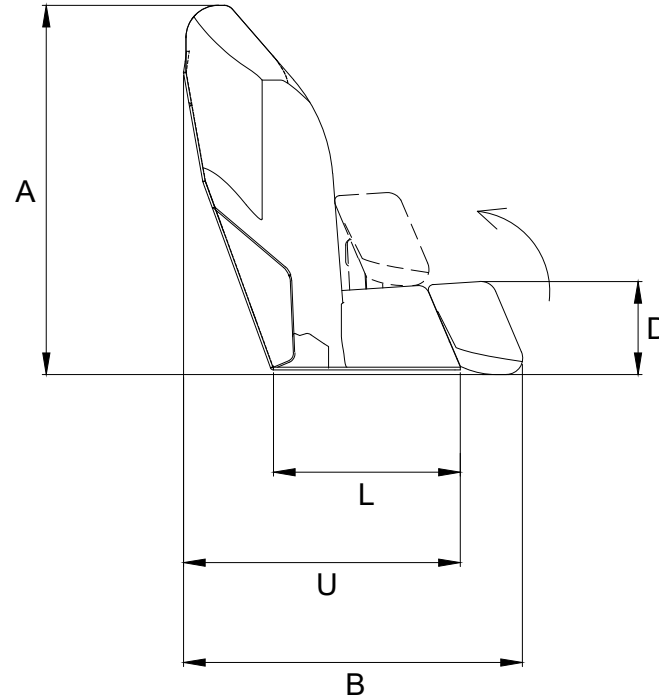
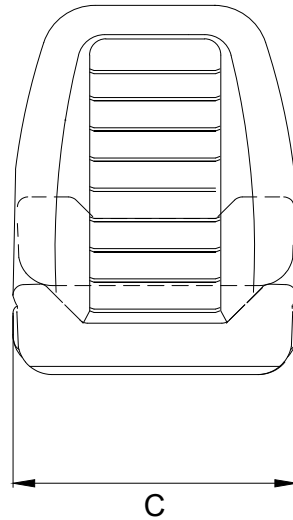


A (mm)	685
B (mm)	640
C (mm)	525
D (mm)	≈ 180
L (mm)	346
U (mm)	512
Weight (Kg)	15



The padding could vary the sizes of few centimeters



Product

**P 265**

**Helm Seat**