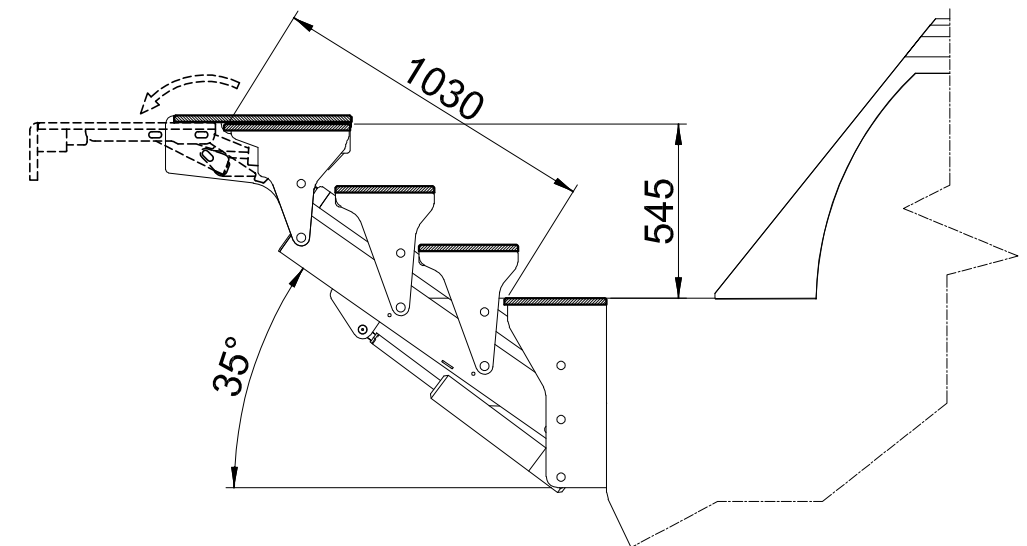
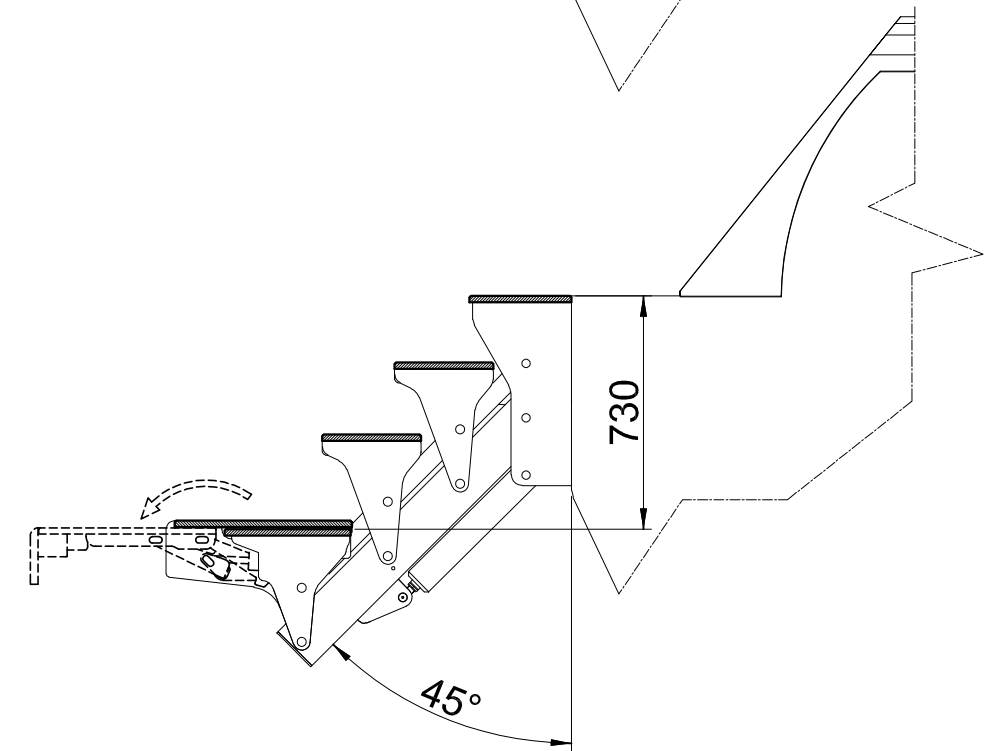
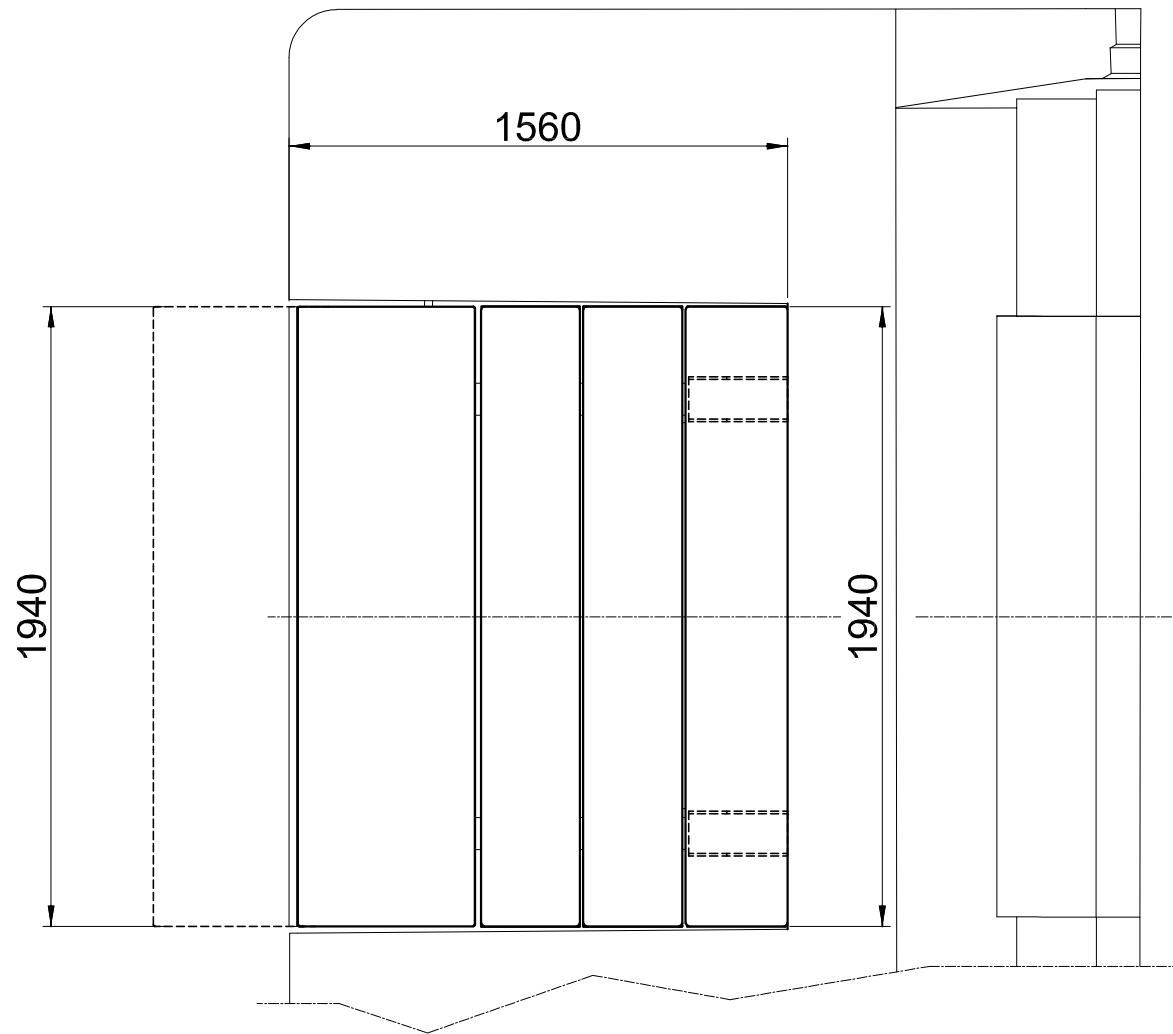
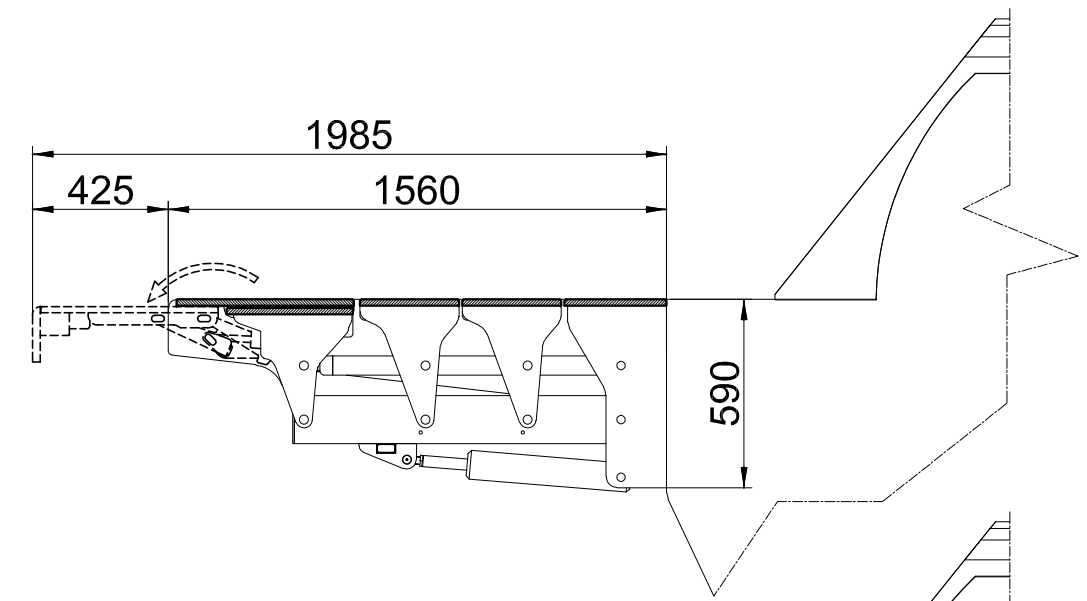
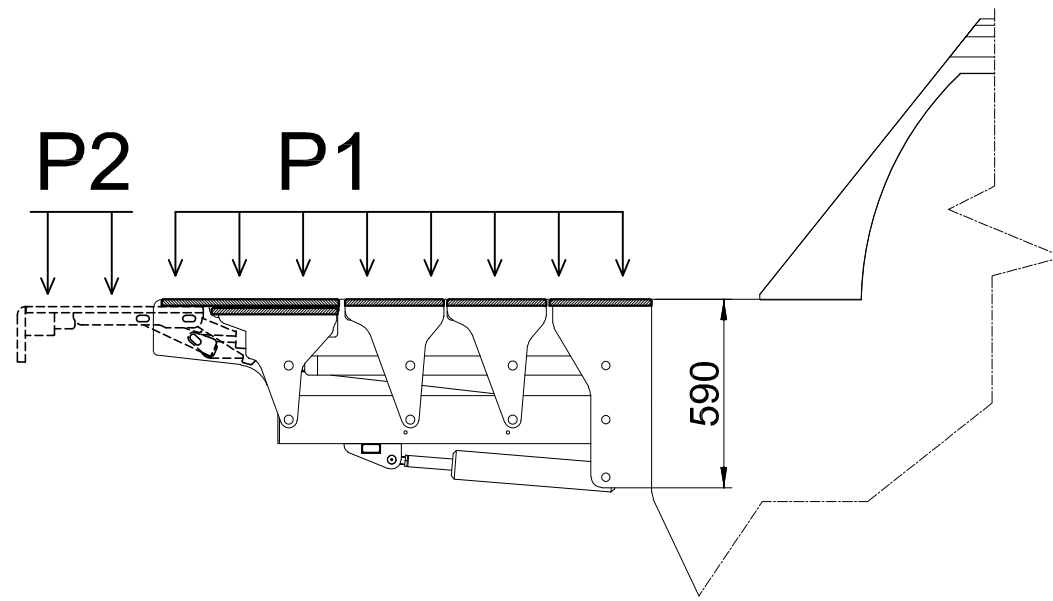


Static Load capacity P1 (Kg)	400
Static Load capacity P2 (Kg)	150
A (mm)	1030
B (mm)	1940
C (mm)	1560
D (mm)	425
F (mm)	1940
H (mm)	590
X (mm)	1985
N (mm)	730
N1 (mm)	545
α°	35°
β°	45°



Product

LP 100 PLUS

Ladder Platform

IMPORTANT NOTE: ALL WALKING FOOTPEGS BY THE CUSTOMER

