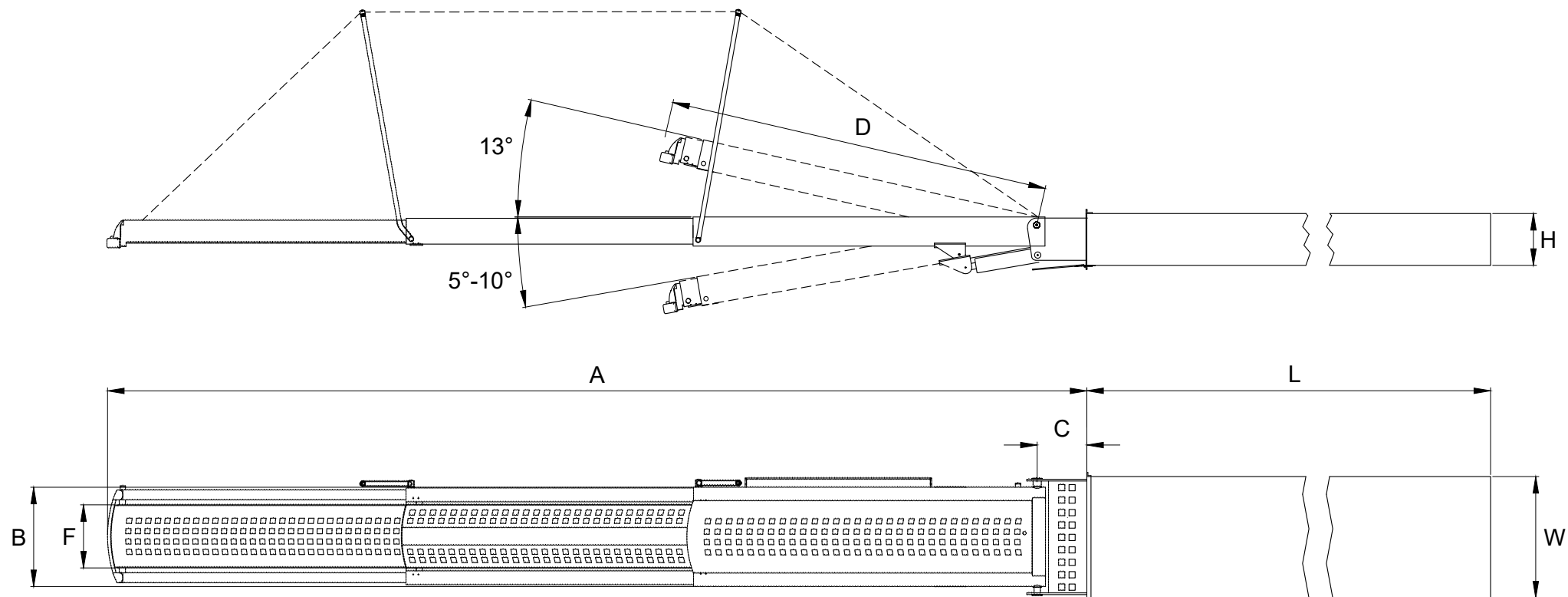


A (mm)	4000*	4000	4300*	4300	4700**	5000
B (mm)	480	480	480	480	480	480
C (mm)	-	-	350	350	230	500
D (mm)	1700	1700	1700	1700	1900	2100
F (mm)	305	305	305	305	305	305
H (mm)	250	250	250	250	250	250
L (mm)	2330	2330	2630	2630	2550	3100
W (mm)	550	585	550	585	585	585
Weight (Kg)	255	255	290	290	300	420

* Only manual stanchions

** 5 Degrees under horizontal level



Product

PI 483

Hydraulic Retractable Passerelle